

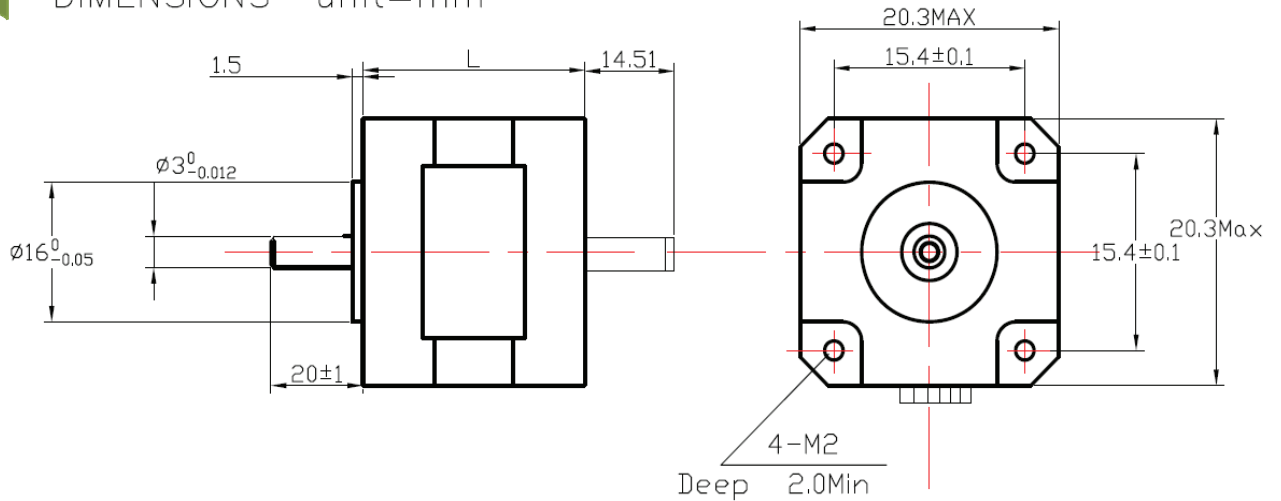
台製兩相步進馬達

	Item (項目)	Specifications (規格)
	Step Angle Accuracy (步進角精度)	±5%(full step,no load)
	Resistance Accuracy (電阻精度)	±10%
	Inductance Accuracy (電感精度)	±20%
	Temperature Rise (溫升)	80°C Max,(rated current,2phase on)
	Ambient Temperature (環境溫度)	-10°C ~+50°C
	Insulation Resistance (絕緣等級)	100MΩ Min,50 VDC
	Dielectric Strength(介電強度)	500VAC for one minute
	Shaft Radial Play (轉軸徑向跳動)	0.06Max,(450g-load)
	Shaft Axial Play (轉軸軸向跳動)	0.08 Max,(450g-load)



尺寸圖

DIMENSIONS unit=mm



(Model No.) 型號		Rated Voltage 電壓	Current /phase 電流	Resistance /phase 電阻	Holding Torque 靜力矩	# of leads 引線	Weight 重量	Length 機身長	Rotor Inertia 轉子慣量	AWG 線規
Single Shaft (單出軸)	Double Shaft (雙出軸)	V	A	Ω	Kg-cm		kg	mm		g-cm ²
20KZM2102A	20KZM2102B	4.8	0.2	24	0.16	4	0.05	28	28	3.3
20KZM2202A	20KZM2201B	5.75	0.5	11.5	0.18	6	0.06	30	28	3.5
20KZM2302A	20KZM2302B	3.9	0.6	6.5	0.2	4	0.07	33	28	3.9
20KZM2401A	20KZM2401B	10	0.6	10	0.4	4	0.08	38	28	4.7